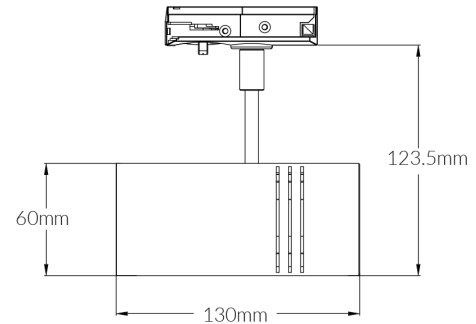


## Vibe 7.5W Cool White LED Track Lighting In White

### Product Specifications

|                            |                                   |
|----------------------------|-----------------------------------|
| <b>SKU</b>                 | VBLTL-100-1-4K                    |
| <b>Luminaire efficacy</b>  | 83 lm/W                           |
| <b>Track type</b>          | Single Circuit                    |
| <b>Product Series</b>      | VBLTL-100-SERIES                  |
| <b>EAN</b>                 | 9340994016054                     |
| <b>Light Colour</b>        | Cool White                        |
| <b>Wattage</b>             | 8 W                               |
| <b>Lumen output</b>        | 850 lm                            |
| <b>IP rating</b>           | 20                                |
| <b>CRI</b>                 | 80                                |
| <b>Beam Angle</b>          | 50 Degrees                        |
| <b>Trim colour</b>         | White                             |
| <b>Diameter</b>            | 60 mm                             |
| <b>Length</b>              | 130 mm                            |
| <b>Height</b>              | 124 mm                            |
| <b>Lifespan</b>            | 50000 Hours                       |
| <b>Warranty</b>            | 5 Years                           |
| <b>Dimmable</b>            | Non Dimmable                      |
| <b>EMC</b>                 | EN55015                           |
| <b>Accessories</b>         | Optional 20° beam angle reflector |
| <b>Lamp Type</b>           | LED                               |
| <b>Material</b>            | Aluminium                         |
| <b>LED source</b>          | CITIZEN                           |
| <b>Weatherproof</b>        | Non-weatherproof                  |
| <b>Input voltage</b>       | 220V-240V AC 50HZ                 |
| <b>Mounting type</b>       | Track                             |
| <b>Diffuser</b>            | Clear                             |
| <b>Working temperature</b> | -20°C ~ 50°C                      |

### Dimensional Drawings





*Photometric information available upon request.*