

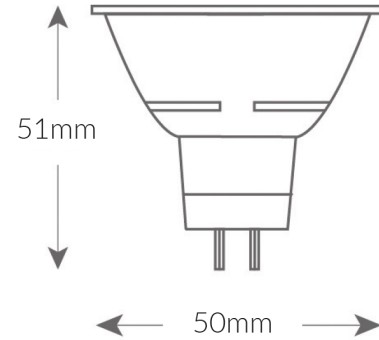


Vibe Eco 6W Cool White LED MR16 Lamp - Twin Pack

Product Specifications

Luminaire efficacy	83 lm/W
SKU	VBEL-MR16-TB-4K
Product Series	VBEL-MR16-SERIES
EAN	9340994405568
Light Colour	Cool White
Wattage	6 W
Lumen output	500 lm
CRI	80
Beam Angle	38 Degrees
Base Type	GU5.3
Diameter	51 mm
Length	51 mm
Height	50 mm
Lifespan	25000 Hours
Warranty	2 Years
Dimmable	Non Dimmable
Lamp Type	LED
LED source	EPISTAR
Input voltage	12 Volt
Working temperature	-20°C ~ 45°C

Dimensional Drawings



Photometric information available upon request.