

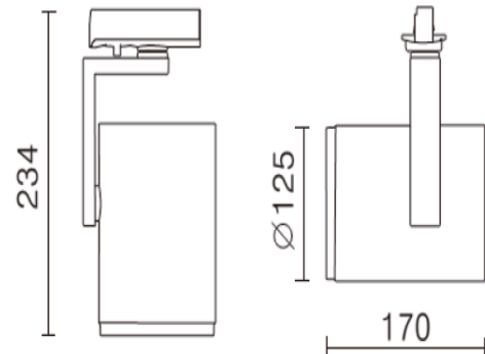


38W Warm White LED 3 Circuit Track Light Black Body

Product Specifications

SKU	VBLTL-420-4-3K
Luminaire efficacy	116 lm/W
Product Series	VBLTL-420-SERIES
EAN	9340994407531
Light Colour	Warm White
Wattage	38 W
Lumen output	4410 lm
IP rating	20
CRI	80
Beam Angle	40 Degrees
Trim colour	Black
Diameter	125 mm
Length	170 mm
Height	234 mm
Lifespan	50000 Hours
Warranty	5 Years
Weatherproof	Indoor use only
Mounting type	Track
LED source	CITIZEN
Material	High strength Aluminium
Lamp Type	LED
Input voltage	220V-240V AC 50HZ
Working temperature	-20°C~50°C

Dimensional Drawings



Photometric information available upon request.