

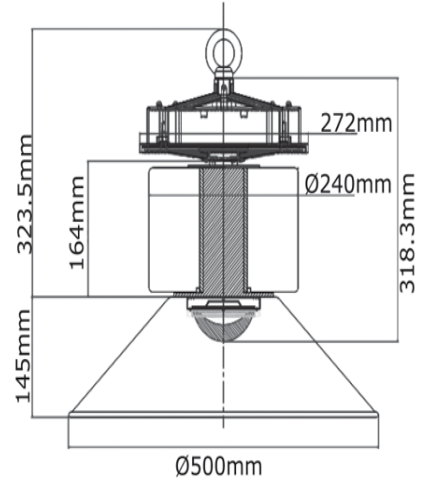


## Vibe 200W Natural White LED Highbay Light With Motion Sensor

### Product Specifications

<b>SKU</b>	VBLHB-927-4-50S
<b>Product Series</b>	VBLHB-HILITE-SERIES
<b>Light Colour</b>	Natural White
<b>Wattage</b>	200 W
<b>Lumen output</b>	19883 lm
<b>IP rating</b>	65
<b>CRI</b>	80
<b>Beam Angle</b>	120 Degrees
<b>Diameter</b>	500 mm
<b>Lifespan</b>	50000 Hours
<b>Warranty</b>	3 Years
<b>Lamp Type</b>	LED
<b>Weatherproof</b>	Weatherproof
<b>Input voltage</b>	110-265V/50hz
<b>Wiring method</b>	Flex & Plug
<b>Working temperature</b>	-20° ~ 45°C

### Dimensional Drawings



## VEET

*Photometric information available upon request.*