

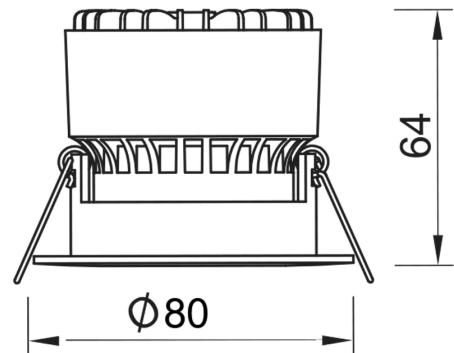
## 134A Series

### Product Specifications

<b>SKU</b>	VBLDL-134-1-A
<b>Luminaire efficacy</b>	92 lm/W
<b>Product Series</b>	VBLDL-134A-SERIES
<b>EAN</b>	9340994017846
<b>Wattage</b>	12 W
<b>Lumen output</b>	1000 lm
<b>IP rating</b>	20
<b>CRI</b>	80
<b>Beam Angle</b>	60 Degrees
<b>Trim colour</b>	White
<b>Cut out</b>	70 mm
<b>Diameter</b>	80 mm
<b>Height</b>	64 mm
<b>Lifespan</b>	50000 Hours
<b>Warranty</b>	3 Years
<b>Accessories</b>	Available in 3000K (1000lm) and 4000K (1150lm)
<b>Lamp Type</b>	LED
<b>LED source</b>	PHILIPS
<b>Weatherproof</b>	Indoor use only
<b>Input voltage</b>	220V-265V AC 50hz
<b>Working temperature</b>	20°C ~ 45°C



### Dimensional Drawings



Photometric information available upon request.