

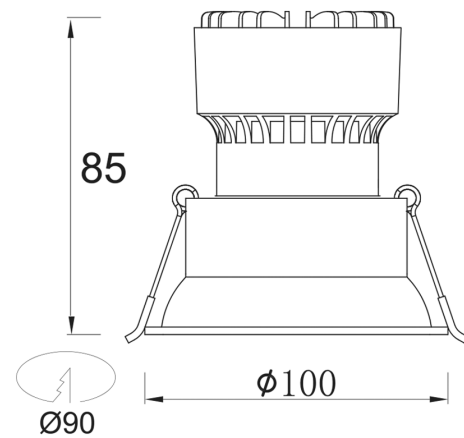
134F Series

Product Specifications

Luminaire efficacy	92 lm/W
SKU	VBLDL-134-1-F
Product Series	VBLDL-134F-SERIES
EAN	9340994017860
Lumen output	1000 lm
IP rating	20
CRI	80
Beam Angle	60 Degrees
Cut out	90 mm
Diameter	100 mm
Height	85 mm
Lifespan	50000 Hours
Warranty	3 Years
Accessories	Available in 3000K (1000lm) and 4000K (1150lm)
Input voltage	220V-265V AC 50hz
Working temperature	-20°C ~ 45°C



Dimensional Drawings



Photometric information available upon request.